



TECHNICAL SPECIFICATION

BridgeMaster E X Band Scanner (3cm)

Transmitter Characteristics

Magnetron Nominal Peak Power 10kW or 25kW

Magnetron Frequency 9410MHz

Pulse Length/PRF

0.05µs/1760Hz Nominal

0.25µs/1760Hz Nominal

0.75µs/785Hz Nominal

Pulse Generator

Solid State with pulse forming network driving a magnetron

Receiver Characteristics

Logarithmic

Low noise front end

Automatic or manual Tuning

IF centered at 60MHz

IF bandwidth 20MHz (Short pulse) nom

IF bandwidth 20MHz (Medium pulse) nom

IF bandwidth 3MHz (Long pulse) nom

Noise factor 5dB nominal

Transceiver Power Supplies

Nominal Input

AC 92V to 276V RMS at 47-64Hz or

DC 21.6V to 32V (10kW only)

Consumption

10kW TxRx

Standard Speed 210W

High Speed 330W

25kW TxRx

Standard Speed 250W

High Speed 370W

Note: All power consumption figures assume maximum antenna size in 100 knot wind.

Antenna Characteristics

	4 ft. (1.2m)	6 ft. (1.8m)	8 ft. (2.4m)
Antenna Aperture Length	4 ft. (1.2m)	6 ft. (1.8m)	8 ft. (2.4m)
Horizontal beamwidth	2° max	1.3° max	1.0° max
Vertical beamwidth	24° nom	24° nom	24° nom
Sidelobes within 10° (min)	-23dB	-23dB	-23dB
Sidelobes outside 10° (min)	-30dB	-30dB	-30dB
Gain (nominal)	29dB	30dB	31dB
Polarization	Horizontal	Horizontal	Horizontal
Nominal Rotation Rate	28/45rpm	28/45rpm	28/45rpm
Limiting relative wind speed	100 knots	100 knots	100 knots

Environmental Specifications

The unit meets in full or exceeds the requirements of IEC60945.

Russian Register of Shipping Requirements

Minimum Operating temperature -40 Deg.C.

(Older generations of BridgeMaster X Band Turning Units required additional heaters in order to meet the -40Deg.C specification. This generation of product meets the specification without the need for any additional heating facilities)

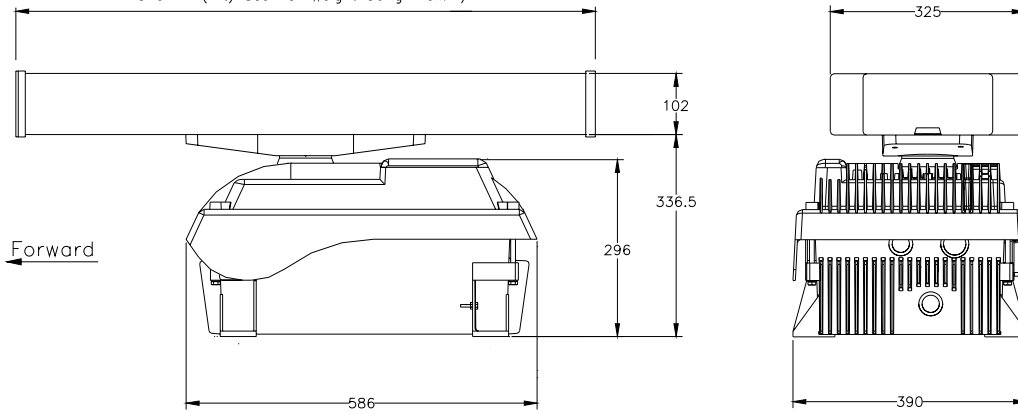
Options Available

'Vision' automatic clutter control system.
 Internally fitted Performance Monitor
 Masthead or Bulkhead mounted Transceiver
 External trigger input
 Radar silence input
 Pre-trigger output
 Two speed selection
 3KHZ short pulse (prf)

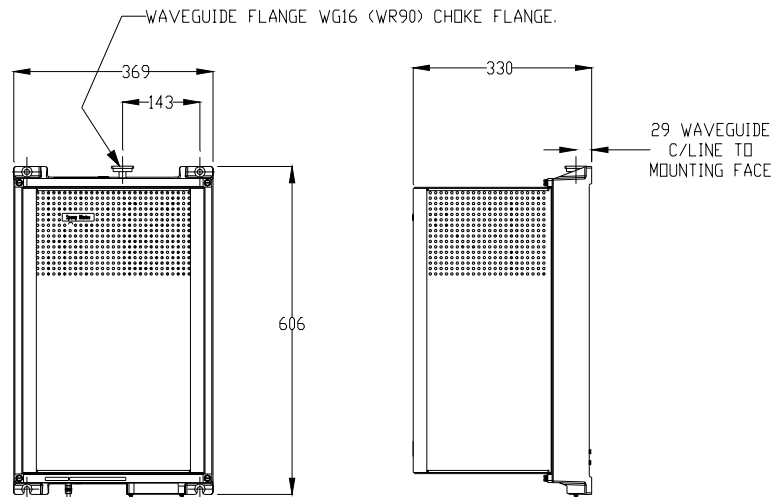
Weights and Dimensions

Scanner

2535mm (8ft) Scanner Weight 47Kg max.b/h
 1920mm (6ft) Scanner Weight 44Kg max.b/h
 1310mm (4ft) Scanner Weight 42Kg max.b/h
 2535mm (8ft) Scanner Weight 55Kg max.m/h
 1920mm (6ft) Scanner Weight 52Kg max.m/h
 1310mm (4ft) Scanner Weight 50Kg max.m/h



Transceiver



WEIGHT 23Kg