

Sea-Hawk Radar - SHN X9 and X12

POLARIMETRIC Radars for Advanced Surface Detection



X Band Radar. 9,2 GHz Frequency Band IMO AIS/ARPA features

- Excellent functionality for both AIS and ARPA.
- Up to 200 AIS targets can be tracked simultaneously.
- ARPA Tracking Automatic up to 50 targets.

OPTIONS:

Radar Video Grabber for Radar screen recorder. Transmit the radar images to an external PC on board.

Output from Radar to CCTV or IR camera. Camera points at direction given from Radar.

Output of tracked target data to external users (NMEA protocol).



Det Norske Veritas Certificate No.

MED-B-7756.



Sea-Hawk SHN 340 Radar Display system.

Sea-Hawk SHN 340 Radar Display System could display images onto 19" to 27" monitors. The standard supply is a Hatteland 23" Standard, or a Hatteland 26" Widescreen monitor, together with a system keyboard, trackball and the Radar Control box.

Additional Display Systems could be connected to all Sea-Hawk radars. This would allow for a 2nd display on the bridge and another display in the deck office



Important features

- Top of the range displaying performance.
- All IMO display features you would expect.
- Advanced surface detection.
- Small target detection features.
- Oil spill detection features.
- Polar Ice Navigation.

Sea-Hawk SHN 340

- Superior radar display for Offshore vessels, Ice going vessels, HSC
- Superior radar display for Search & Rescue operations
- Surface detection display for Oil on water, Small targets in the water.
- Anti Piracy display system
- Ice Berg & Bergy Bits Detection and tracking
- Surface detection of the Ice bed.

Radar sensor:

Polarimetric system
X Band Dual TxRx 25 kw (x 2)

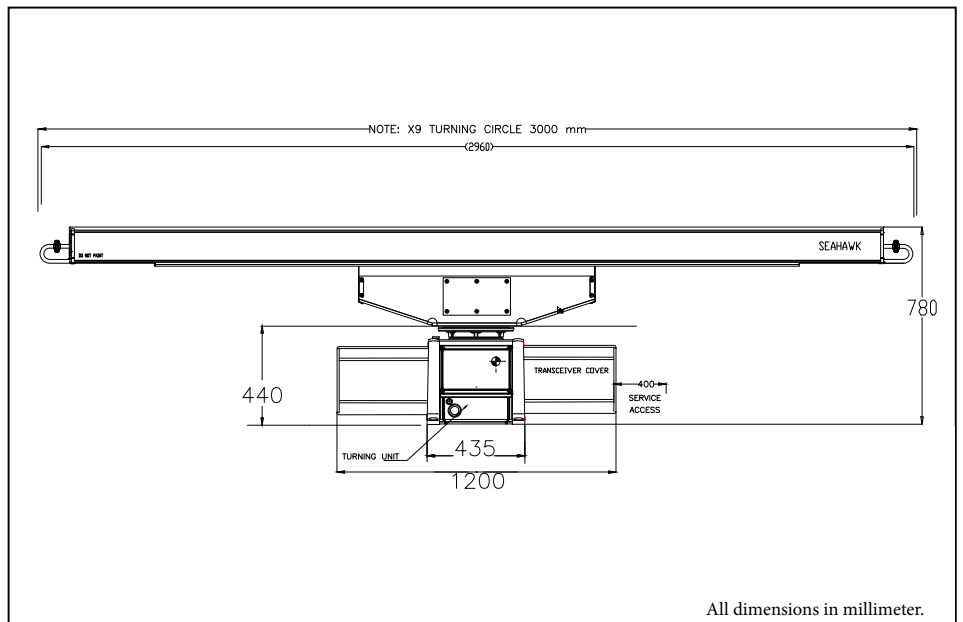
Antenna: 1 Horizontal
1 Circular

Rotation diameter:
SHN X9 = 3 m
SHN X12 = 4 m

RPM 40 to 60

Power 220 VAC 3 ph.

Weight X9 169 Kg
Weight X12 181 Kg



Sea-Hawk Navigation AS

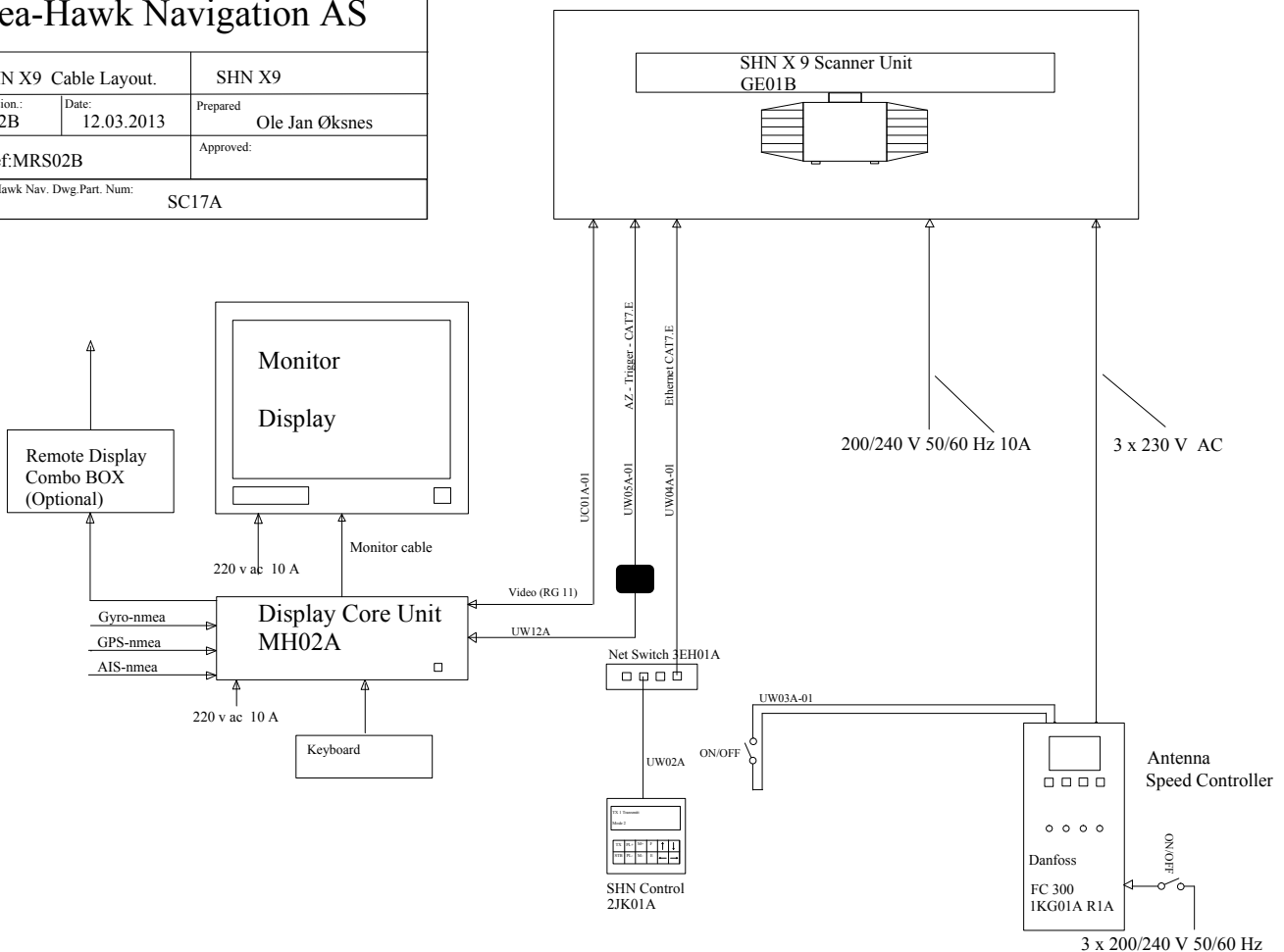
SHN X9 Cable Layout.

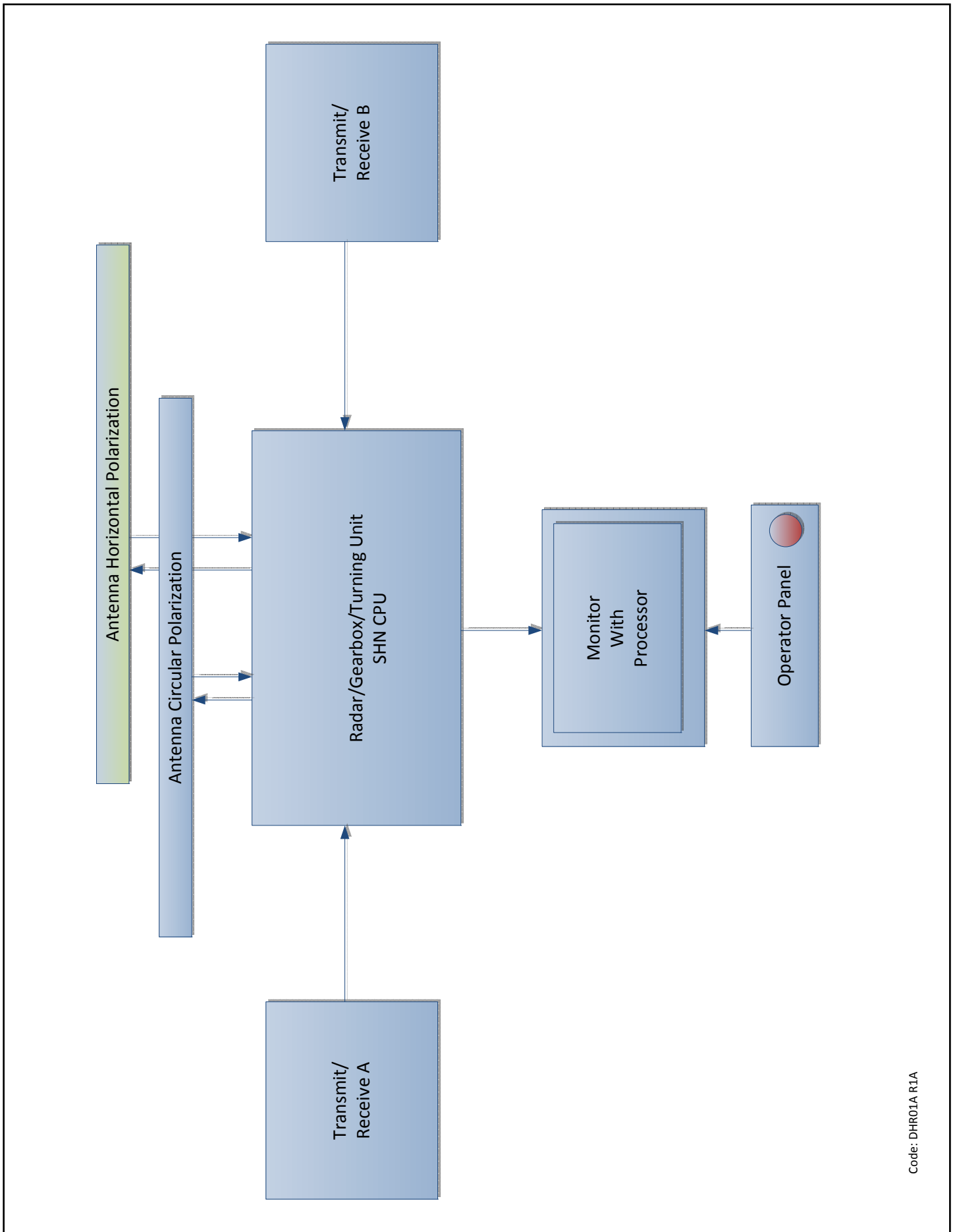
SHN X9

Version: R2B Date: 12.03.2013 Prepared: Ole Jan Øksnes

Ref: MRS02B Approved:

Sea-Hawk Nav. Dwg. Part. Num: SC17A





Code: DHR01A R1A